



**LED
Balloon
Light**
Series



YUANG
LIGHT

by Ching Yuang

Yuang Light is a series of portable LED lights suited to a wide range of industrial, construction and outdoor uses. Our comprehensive lighting systems are developed for ease of use and maximum portability, while our LED technology ensures that our lights have long life expectancy and are bright enough for any application, while minimizing power consumption.

Yuang Light was created by **Ching Yuang** in 2013. **Ching Yuang** was established in 2002 as a manufacturer of high watt LED lighting, ventilation systems (blowers) and spot coolers. All of our products are made to the highest standards in Taiwan. In 2013, **Ching Yuang** released our own range of products, **Yuang Light** and **Yuang Tools**. The quality of our products is known worldwide and our customers can be found in Japan, South East Asia, the Middle East, the United States and Europe. Our close relationship with our customers has provided invaluable feedback that has allowed us to develop exceptional products.

Ching Yuang believes that our customers' success is also our success, and so we are always striving to design the best product for the problem at hand.



LED Balloon Light System

100 W
200 W
300 W
500 W
960 W



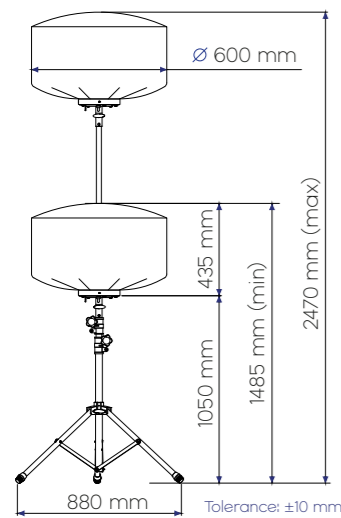
MINI LED Balloon Light

100 W 200 W

Our MINI LED Balloon Lights emit bright, diffused light that is suitable for indoor spaces and outdoor events. Released in 100 W and 200 W versions, they can be used to light up film sets, provide even lighting for studio photography and interior construction, and general portable lighting for outdoor activities like camping, sporting events and parties.

- 
Lightweight
- 
Portable
- 
Easy Setup
- 
Glare-Free
- 
360°
Illumination
- 
Diffused
Light
- 
High Efficiency
150 lm/W
- 
Life Span
> 50,000 hrs
- 
Low-Maintenance
- 
Waterproof

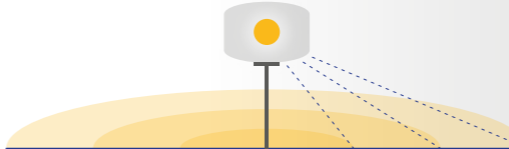
DIMENSIONS



TECHNICAL DATA

		100 W	200 W
General	Voltage	AC 100-240 V	AC 100-240 V
	Frequency	50/60 Hz	50/60 Hz
	Operating Amperage	1.2 A	2.3 A
	Power Consumption (±5%)	110 W	210 W
	Lamp+Tripod	8.2 kg	8.2 kg
Lamp	Panel Power Consumption (±5%)	90 W	180 W
	Panel Luminous Flux (±10%)	15,600 lm	28,000 lm
	Correlated Color Temperature	5,000 K	5,000 K
	Width	600 mm	600 mm
	Height	435 mm	435 mm
Tripod	Weight	5 kg	5 kg
	Height (min-max)	1050-2035 mm	1050-2035 mm
	Weight	3.2 kg	3.2 kg
	Collapsed Height	930 mm	930 mm
	Collapsed Width	120 mm	120 mm

LIGHTING DATA



	Distance	1 m	4 m	8 m
100 W 0° PANEL ANGLE OMNI COVER	Area	3 m ²	50 m ²	200 m ²
	Lux	150	30	8
200 W 0° PANEL ANGLE OMNI COVER	Distance	1 m	4 m	8 m
	Area	3 m ²	50 m ²	200 m ²
	Lux	247	48	11

More data on [page 20](#).

ACCESSORIES

The MINI LED Balloon Light standard package includes:

- LED light system
- Omni light cover
- Small tripod
- Light carry bag
- Tripod carry bag



CUSTOMIZATION

The MINI LED Balloon Light can also be mounted on a trolley and customized with a different light cover, for more info, please see [page 18](#).



MIDI LED Balloon Light

300 W

Our MIDI LED Balloon Lights emit light that is close to sunlight. They are best for situations where no-nonsense lighting is essential for safety and practicality. They can be used for rescue operations, tunneling and for oil and gas exploration, outdoor construction and on large film sets.



Portable



Easy Setup



Glare-Free



360° Illumination



Diffused Light



High Efficiency
150 lm/W



Life Span
> 50,000 hrs

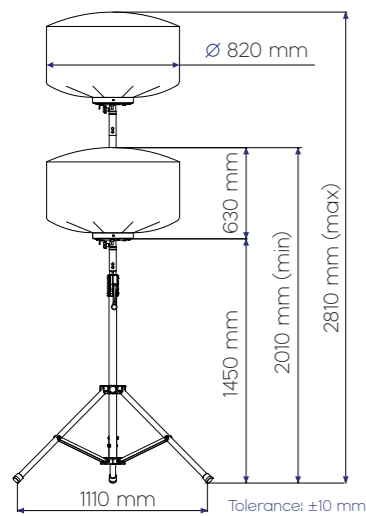


Low-Maintenance



Waterproof

DIMENSIONS



TECHNICAL DATA

300 W

General	Voltage	AC 100-240 V
	Frequency	50/60 Hz
	Operating Amperage	1.9 A/3.5 A
	Power Consumption (±5%)	155 W/310 W
	Lamp+Tripod	15.6 kg
Lamp	Panel Power Consumption (±5%)	135 W/270 W
	Panel Luminous Flux (±10%)	21,000 lm/42,000 lm
	Correlated Color Temperature	5,000 K
	Width	820 mm
	Height	630 mm
Tripod	Weight	8.5 kg
	Height (min-max)	1450-2180 mm
	Weight	71 kg
	Collapsed Height	1340 mm
	Collapsed Width	180 mm

LIGHTING DATA

300 W 0° PANEL ANGLE OMNI COVER	Distance	1 m	4 m	8 m
	Area	3 m ²	50 m ²	200 m ²
	Full Light	356 lx	80 lx	18 lx
	Half Light	180 lx	40 lx	10 lx

More data on [page 20](#).

ACCESSORIES

The MIDI LED Balloon Light standard package includes:

- LED light system
- Omni light cover
- Medium tripod
- Light carry bag
- Tripod carry bag



CUSTOMIZATION

The MIDI LED Balloon Light can also be mounted on a trolley and customized with a different light cover, for more info, please see [page 18](#).



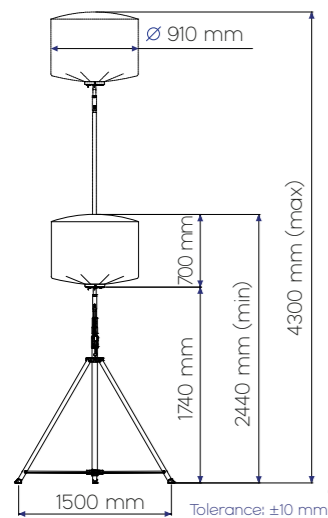
MAXI LED Balloon Light

500 W 960 W

Our MAXI LED Balloon Lights are the brightest in our collection and come in 500 W and 960 W versions. Their wide coverage make them essential for large-scale infrastructure projects like roadworks and construction projects, and they provide ample lighting at sporting events. Their easy setup and portability make them invaluable in fire-fighting and other disaster relief situations.

- 
Portable
- 
Easy Setup
- 
Glare-Free
- 
360° Illumination
- 
Diffused Light
- 
High Efficiency
150 lm/W
- 
Life Span
> 50,000 hrs
- 
Waterproof

DIMENSIONS



TECHNICAL DATA

		500 W	960 W
General	Voltage	AC 100-240 V	AC 100-240 V
	Frequency	50/60 Hz	50/60 Hz
	Operating Amperage	2.9 A/5.5 A	5.3 A/10.6 A
	Power Consumption (±5%)	245 W/490 W	485 W/970 W
	Lamp+Tripod	32 kg	35 kg
Lamp	Panel Power Consumption (±5%)	216 W/432 W	480 W/960 W
	Panel Luminous Flux (±10%)	36,000 lm/72,000 lm	65,000 lm/130,000 lm
	Correlated Color Temperature	5,000 K	5,000 K
	Width	910 mm	910 mm
	Height	700 mm	700 mm
Tripod	Weight	14.5 kg	17.5 kg
	Height (min-max)	1740-3700 mm	1740-3700 mm
	Weight	17.5 kg	17.5 kg
	Collapsed Height	1980 mm	1980 mm
	Collapsed Width	210 mm	210 mm

LIGHTING DATA

	Distance	1 m	4 m	8 m
500 W 0° PANEL ANGLE OMNI COVER	Area	3 m ²	50 m ²	200 m ²
	Full Light	634 lx	128 lx	26 lx
	Half Light	284 lx	53 lx	12 lx
960 W 0° PANEL ANGLE OMNI COVER	Distance	1 m	4 m	8 m
	Area	3 m ²	50 m ²	200 m ²
	Full Light	1040 lx	285 lx	55 lx
	Half Light	520 lx	141 lx	28 lx

More data on [page 20](#).

ACCESSORIES

The MAXI LED Balloon Light standard package includes:

- LED light system
- Omni light cover
- Large tripod
- Light carry bag
- Tripod carry bag



CUSTOMIZATION

The MAXI LED Balloon Light can also be mounted on a trolley and customized with a different light cover, for more info, please see [page 18](#).



LED Balloon Light System



MINI

100 W



MIDI

200 W

300 W



MAXI

500 W

960 W

Comparison Table

		100 W	200 W	300 W	500 W	960 W
GENERAL	Voltage	AC 100-240 V	AC 100-240 V	AC 100-240 V	AC 100-240 V	AC 100-240 V
	Frequency	50/60 Hz	50/60 Hz	50/60 Hz	50/60 Hz	50/60 Hz
	Operating Amperage	1.2 A	2.3 A	1.9 A/3.5 A	2.9 A/5.5 A	5.3 A/10.6 A
LAMP	Power Consumption (±5%)	110 W	210 W	155 W (half) / 310 W (full)	245 W (half) / 490 W (full)	485 W (half) / 970 W (full)
	Panel Power Consumption (±5%)	100 W	200 W	130 W (half) / 270 W (full)	216 W (half) / 432 W (full)	480 W (half) / 960 W (full)
	Average Lamp Life	> 50,000 hrs	> 50,000 hrs	> 50,000 hrs	> 50,000 hrs	> 50,000 hrs
	Color Rendering Index	80	80	80	80	80
	Correlated Color Temperature	5,000 K	5,000 K	5,000 K	5,000 K	5,000 K
	Luminous Flux (±10%)	15,600 lm	28,000 lm	21,000 lm (half) / 42,000 lm (full)	36,000 lm (half) / 72,000 lm (full)	65,000 lm (half) / 130,000 lm (full)
	Width	600 mm	600 mm	820 mm	910 mm	910 mm
	Height	435 mm	435 mm	630 mm	700 mm	700 mm
	Weight	5 kg	5 kg	8.5 kg	14.5 kg	17.5 kg
TRIPOD	Height (min-max)	1050-2035 mm	1050-2035 mm	1450-2180 mm	1740-3700 mm	1740-3700 mm
	Collapsed Height	930 mm	930 mm	1340 mm	1980 mm	1980 mm
	Collapsed Width	120 mm	120 mm	180 mm	210 mm	210 mm
	Weight	3.2 kg	3.2 kg	7.1 kg	17.5 kg	17.5 kg
TROLLEY	Height	670 mm	670 mm	690 mm	690 mm	-
	Length	730 mm	730 mm	1060 mm	1060 mm	-
	Width	430 mm	430 mm	800 mm	800 mm	-
	Weight	15 kg	15 kg	26 kg	26 kg	-
WEIGHT	Lamp + Tripod	8.2 kg	8.2 kg	15.6 kg	32 kg	35 kg
	Lamp + Trolley	20 kg	20 kg	34.5 kg	40.5 kg	-

Dimensions tolerance: ±10 mm

As part of our continuous efforts to improve our products, features and specifications may change without notice.

Mobile Lighting Tower

System

SINGLE 300 W
TWIN 600 W



SINGLE TWIN

300 W

600 W

Our ultra bright Mobile Lighting Towers emit undiffused, directional light that is essential for construction. They are mobile and exceptionally easy to setup and operate. Their durability and reliability mean they will last on the roughest of sites, and as an added bonus are good for the environment.



Ultra Bright



Lightweight



Directional



Waterproof

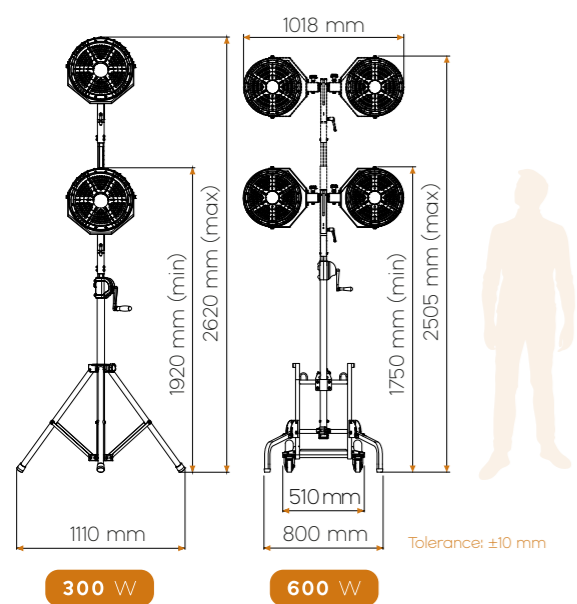


Steel Mesh Protector



Low-Power Consumption

DIMENSIONS



TECHNICAL DATA

300 W

600 W

General	Voltage	AC 100-240 V	AC 100-240 V
	Frequency	50/60 Hz	50/60 Hz
	Operating Amperage	3.3 A	6.6 A
Lamp	Power Consumption (±5%)	300 W	600 W
	Average Lamp Life	> 50,000 hrs	> 50,000 hrs
	CRI	80	80
	CCT	5,000 K	5,000 K
	Luminous Flux (±10%)	42,000 lm	84,000 lm
	Width	392 mm	1018 mm
	Height	490 mm	415 mm
	Weight	6.3 kg	14.9 kg
Tripod	Height (min-max)	1450-2180 mm	-
	Collapsed Height	1340 mm	-
	Collapsed Width	180 mm	-
	Weight	7.1 kg	-
Trolley	Height	-	690 mm
	Length	-	1060 mm
	Width	-	800 mm
	Weight	-	26 kg

LIGHTING DATA

300 W	Distance	1 m	5 m	10 m
	Area	9 m ²	65 m ²	50 m ²
	Lux	592	156	22
600 W	Distance	1 m	5 m	10 m
	Area	9 m ²	75 m ²	120 m ²
	Lux	1160	304	45

CUSTOMIZATION

The Mobile Lighting Towers Light can also be mounted on a tripod and customized with a different light cover, for more info, please see [page 18](#).

More data on [page 20](#).



Accessories

LIGHT COVERS
TRIPODS
TROLLEYS



Accessories

LIGHT COVERS

OMNI REFLECTIVE

The covers for our LED Balloon Light inflate into an elegant and efficient balloon shape with air from the fans. We offer two different standard covers; the Omni Light Cover and the Reflective Light Cover. Designed to be used with our LED lighting systems, they are easy to attach and hold their shape perfectly.



Omni-directional/
Reflective



Waterproof



Flameproof



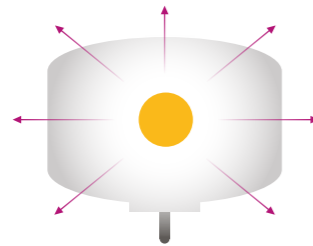
Phenolic
Yellowing Resistant



Washable

OMNI

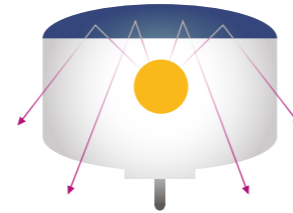
Our Omni Light Covers produce omni-directional, even lighting throughout a space. The covers are washable and easily replaced, waterproof and tear and flameproof. These lights are ideal for covered spaces.



MINI 600 x 435 mm
MIDI 820 x 630 mm
MAXI 910 x 700 mm

REFLECTIVE

Our Reflective Light Covers reflect light down onto the ground, acting as highly efficient street lights. The covers are washable and easily replaced, waterproof and flameproof. These lights are ideal for open-air applications.



MINI 600 x 435 mm
MIDI 820 x 630 mm
MAXI 910 x 700 mm

OMNI LIGHTING DATA

	Distance	1 m	4 m	8 m
100 W	Area	3 m ²	50 m ²	200 m ²
0° PANEL ANGLE	Lux	150	30	8
200 W	Area	3 m ²	50 m ²	200 m ²
0° PANEL ANGLE	Lux	247	48	11
300 W	Area	3 m ²	50 m ²	200 m ²
0° PANEL ANGLE	Full Light	356 lx	80 lx	18 lx
	Half Light	180 lx	40 lx	10 lx
500 W	Area	3 m ²	50 m ²	200 m ²
0° PANEL ANGLE	Full Light	634 lx	128 lx	26 lx
	Half Light	284 lx	53 lx	12 lx
960 W	Area	3 m ²	50 m ²	200 m ²
0° PANEL ANGLE	Full Light	1040 lx	285 lx	55 lx
	Half Light	520 lx	141 lx	28 lx

REFLECTIVE LIGHTING DATA

	Distance	1 m	4 m	8 m
100 W	Area	3 m ²	50 m ²	200 m ²
0° PANEL ANGLE	Lux	197	34	8
200 W	Area	3 m ²	50 m ²	200 m ²
0° PANEL ANGLE	Lux	328	53	10
300 W	Area	3 m ²	50 m ²	200 m ²
0° PANEL ANGLE	Full Light	531 lx	85 lx	10 lx
	Half Light	309 lx	47 lx	20 lx
500 W	Area	3 m ²	50 m ²	200 m ²
0° PANEL ANGLE	Full Light	764 lx	135 lx	29 lx
	Half Light	342 lx	60 lx	11 lx
960 W	Area	3 m ²	50 m ²	200 m ²
0° PANEL ANGLE	Full Light	1401 lx	295 lx	55 lx
	Half Light	700 lx	146 lx	28 lx

for

LED
Balloon
Light
System



Accessories

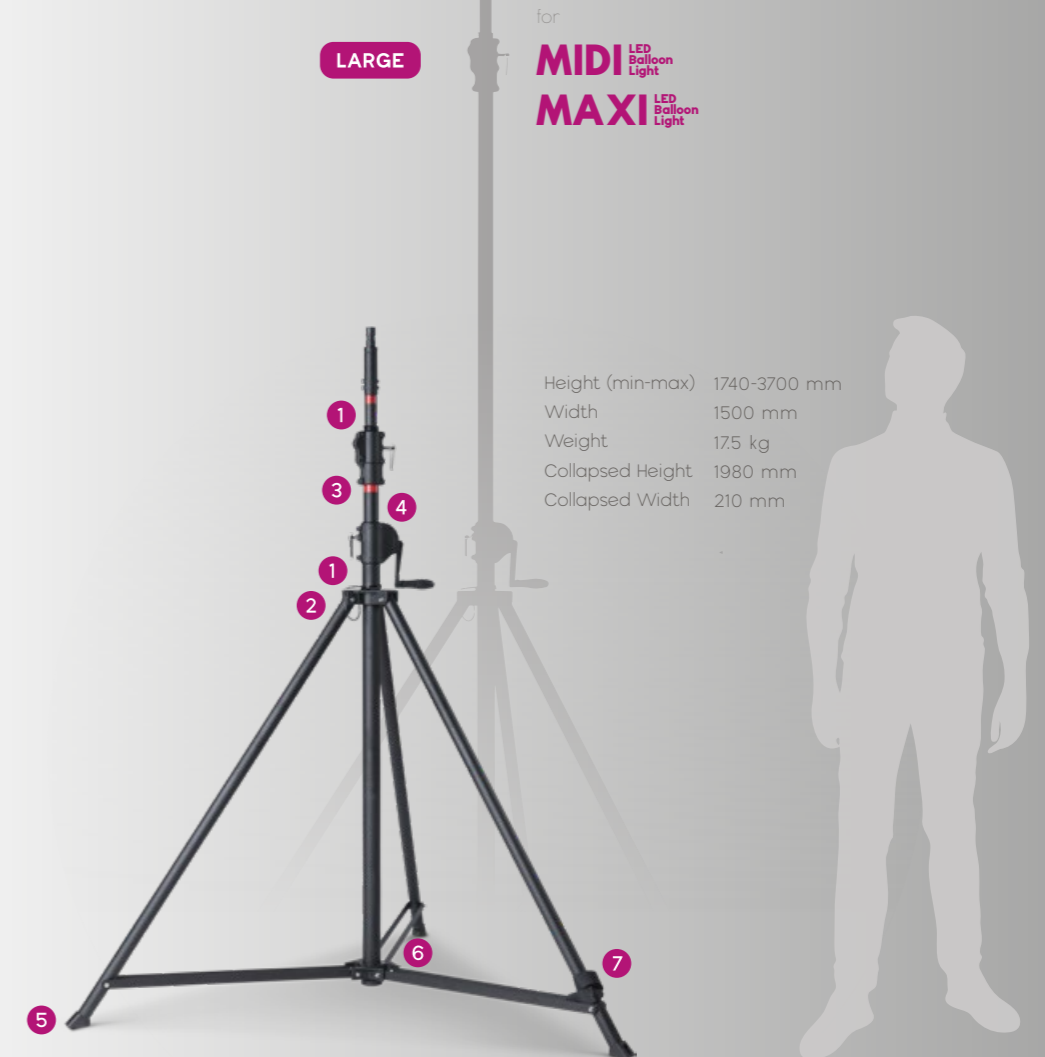
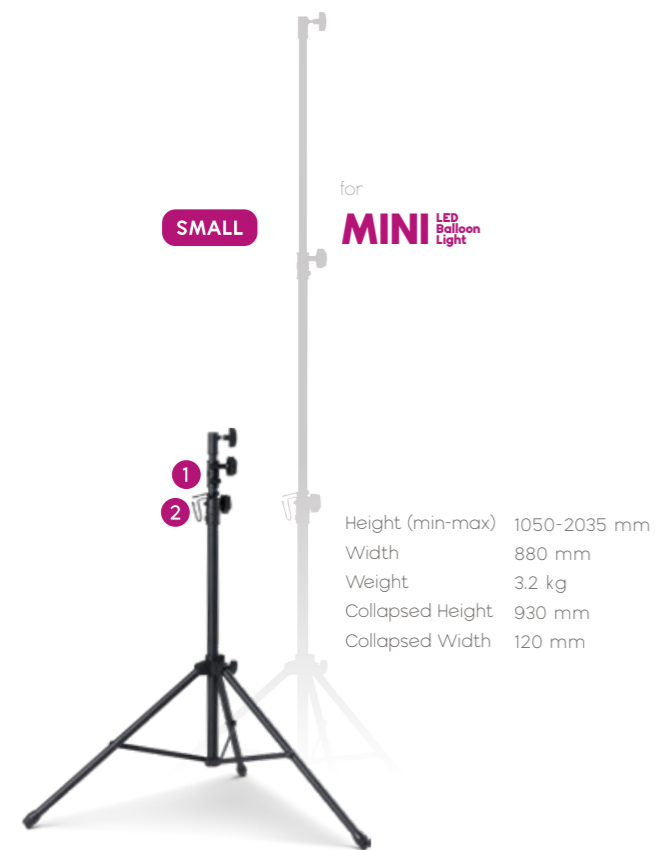
TRIPODS

SMALL **MEDIUM** **LARGE**

Our tripods are designed to integrate seamlessly into our lighting systems. Compact and reliable, they are a breeze to carry and collapse easily for storage. They can extend from a height of 1 meter to 4 meters. Safety features include a safety-chain to prevent accidental disconnection as well as a T-knob for extra safety. Tripods include a system for power cord storage and leg fasteners for safe transportation.

The color and structure of our tripods can be customized.

for
LED Balloon Light System
Mobile Lighting Tower System



Accessories

TROLLEYS

SMALL MEDIUM

Our trolleys are the perfect size to transport generators. Made from strong steel with four sturdy wheels, they are as mobile as they are robust. Packed full of safety features, our trolleys make moving lights a breeze.

The color and structure of our trolleys can be customized.



for
LED Balloon Light System
Mobile Lighting Tower System

LED Lights Customization Possibilities

- 
 RGB Colors
- 
 Fog Light
- 
 Timer
- 
 Custom
Temperature
- 
 Dimmer
- 
 Remote Control
- 
 ... and more!

Our lights can be customized to allow their color to be adjusted across the **RGB** spectrum or converted to **fog lights**. In addition, a **timer** can set how many seconds different colors display. Lights can also be **customized to a specific color** for purposes like emergency or security lights. **Dimmers** controlled by manual or **remote control** switches can also be installed


The shape of our light covers can be customized, as can the color and structure of our trolleys and tripods.


- 

Light color adjustable across the RGB spectrum
- 

Set correlated color temperature between 2500 K and 6500 K
- 

Switch between fog and white light
- 

Dim light manually or by remote control
- 

Set timer to change colors between interval
- 

Use remote to control timer, dimmer and turn lights on and off.





www.yuanglight.com
5F, No. 210, Sec. 2, Zhonghua Road,
Tucheng District, 236 New Taipei City, Taiwan
+886 2 2268 0546
+886 2 2268 1907
service@cyuang.com
@yuanglight

